

**P.T.O. three-phase tractor alternators IP23**

IP 23

**1. Three-phase synchronous brushes alternators - 2 poles - 3000 rpm - cosφ 0.8**

Three-Phase	50Hz	Tractor HP on PTO *	Power Take Off	Weight	Control panel	Price (ex VAT)
TYPE	kVA	HP	rpm	kg		EURO
FT 2 MES	13,5	27	435	116	A	on request
FT 2 MFS	16	32	435	125	A	on request
GT 2 MAS	22	45	435	144	B	on request
GT 2 MBS	27	53	435	149	C	on request
GS 2 LAS	31,5	62	435	189	C	on request
GS 2 LBS	38	73	435	205	C	on request

**2. Three-phase synchronous brushes alternators - 4 poles - 1500 rpm - cosφ 0.8**

Three-Phase	50Hz	Tractor HP on PTO *	Power Take Off	Weight	Control panel	Price (ex VAT)
TYPE	kVA	HP	rpm	kg		EURO
GT 4 MES	16,5	33	430	146	B	on request
GT 4 MFS	20	39	430	157	B	on request
GS 4 LES	25	48	430	200	C	on request
GS 4 LFS	30	57	430	215	C	on request

**3. Brushless three-phase synchronous alternators with AVR - 2 poles - 3000 rpm - cosφ 0.8**

Three-Phase	50Hz	Tractor HP on PTO *	Power Take Off	Weight	Control panel	Price (ex VAT)
TYPE	kVA	HP	rpm	kg		EURO
FB 2 MB	19	37	435	148	D	on request
IB 2 SA	28	56	435	198	E	on request
IB 2 SB	33	65	435	207	E	on request
IB 2 MA	44	84	435	230	E	on request
IB 2 MB	55	103	435	250	F	on request
IB 2 LA	66	123	435	274	F	on request

**4. Brushless three-phase synchronous alternators with AVR - 4 poles - 1500 rpm - cosφ 0.8**

Three-Phase	50Hz	Tractor HP on PTO *	Power Take Off	Weight	Control panel	Price (ex VAT)
TYPE	kVA	HP	rpm	kg		EURO
HB 4 SBR	16,5	33	430	177	G	on request
HB 4 CAR	20	40	430	190	G	on request
HB 4 MAR	25	49	430	205	G	on request
HB 4 LAR	30	59	430	228	H	on request
IB 4 MA	36	69	430	245	E	on request
IB 4 MB	42	80	430	258	E	on request
IB 4 LA	50	93	430	298	F	on request
SK 225 SM	63	118	400	335	I	on request
SK 225 MS	75	139	400	362	I	on request
SK 225 MM	90	165	400	382	I	on request

\* min. suggested tractor HP on PTO, for 50Hz and at specified PTO rpm.

		EURO
<b>OPTIONS:</b>	Over and under voltage protection mounted on the PTO as from 27kVA	on request
	60Hz/3600rpm/1800rpm instead of 50Hz/3000rpm/1500rpm	on demand
	Special control panels on demand	on demand

**CONTROL PANEL**

Type	Description
A	1 CEE socket 230V - 16A - 3 poles + 1 CEE socket 400V - 32A - 5 poles + earth leakage breaker (30mA) and 4 poles thermal magnetic breaker + single phase thermal protection + voltmeter + frequencymeter
A1	1 CEE socket 230V - 16A - 3 poles + 1 CEE socket 400V - 16A - 5 poles + earth leakage breaker (30mA) and 4 poles thermal magnetic breaker + single phase thermal protection + voltmeter + frequencymeter
B	1 CEE socket 230V - 16A - 3 poles + 1 CEE socket 400V - 32A - 5 poles + earth leakage breaker (30mA) and 4 poles thermal magnetic breaker and 2 poles thermal magnetic breaker + voltmeter + frequencymeter + ammeter
B1	1 CEE socket 230V - 16A - 3 poles + 1 CEE socket 400V - 32A - 5 poles + earth leakage breaker (30mA) and 4 poles thermal magnetic breaker and single phase thermal protection + voltmeter + frequencymeter
C	1 CEE socket 230V - 16A - 3 poles + 1 CEE socket 400V - 63A - 5 poles + earth leakage breaker (30mA) and 4 poles thermal magnetic breaker and 2 poles thermal magnetic breaker + voltmeter + ammeter + frequencymeter
C1	1 CEE socket 230V - 16A - 3 poles + 1 CEE socket 400V - 32A - 5 poles + earth leakage breaker (30mA) and 4 poles thermal magnetic breaker and 2 poles thermal magnetic breaker + voltmeter + ammeter + frequencymeter
D	1 schuko with thermal protection + 1 CEE socket 230V - 32A - 3 poles + 1 CEE socket 400V - 32A - 5 poles + earth leakage breaker (30mA) and 4 poles and 2 poles thermal magnetic breaker + voltmeter + ammeter + frequencymeter + hour counter
D1	1 CEE socket 230V - 16A - 3 poles + 1 CEE socket 400V - 63A - 5 poles + earth leakage breaker (30mA) and 4 poles thermal magnetic breaker + voltmeter + ammeter + frequencymeter
E	1 schuko socket 230V - 16A + 1 CEE socket 230V - 32A - 3 poles + 1 CEE socket 400V - 63A - 5 poles + earth leakage breaker (30mA) and 4 poles and 2 poles thermal magnetic breaker + single phase therm. prot. + V/A/Hz-meter + hour counter
E1	1 schuko socket 230V - 16A + 1 CEE socket 230V - 32A - 3 poles + 1 CEE socket 400V - 32A - 5 poles + earth leakage breaker (30mA) and 4 poles and 2 poles thermal magnetic breaker + single phase therm. prot. + V/A/Hz-meter + hour counter
F	1 schuko socket 230V - 16A + 1 CEE socket 230V - 32A - 3 poles + 1 CEE socket 400V - 125A - 5 poles + earth leakage breaker (30mA) and 4 poles and 2 poles thermal magnetic breaker + single phase therm. prot. + V/A/Hz-meter
F1	1 schuko socket 230V - 16A + 1 CEE socket 230V - 32A - 3 poles + 1 CEE socket 400V - 63A - 5 poles + earth leakage breaker (30mA) and 4 poles and 2 poles thermal magnetic breaker + single phase therm. prot. + V/A/Hz-meter + hour counter
G	1 schuko socket 230V - 16A + 1 CEE socket 230V - 32A - 3 poles + 1 CEE socket 400V - 32A - 5 poles + earth leakage breaker (30mA) and 4 poles thermal magnetic breaker and 2 poles thermal magnetic breaker + single phase thermal protection + voltmeter + ammeter + frequencymeter + hour counter
G1	1 schuko socket 230V - 16A + 1 CEE socket 230V - 32A - 3 poles + 1 CEE socket 400V - 63A - 5 poles + earth leakage breaker (30mA) and 4 poles thermal magnetic breaker and 2 poles thermal magnetic breaker + single phase thermal protection + voltmeter + ammeter + frequencymeter + hour counter
H	1 schuko socket 230V - 16A + 1 CEE socket 230V - 32A - 3 poles + 1 CEE socket 400V - 63A - 5 poles + earth leakage breaker (30mA) and 4 poles thermal magnetic breaker and 2 poles thermal magnetic breaker + single phase thermal protection + voltmeter + ammeter + frequencymeter + hour counter
H1	1 schuko socket 230V - 16A + 1 CEE socket 230V - 32A - 3 poles + 1 CEE socket 400V - 125A - 5 poles + earth leakage breaker (30mA) and 4 poles thermal magnetic breaker and 2 poles thermal magnetic breaker + single phase thermal protection + voltmeter + ammeter + frequencymeter + hour counter
I	1 schuko socket 230V - 16A + 1 CEE socket 230V - 32A - 3 poles + 1 CEE socket 400V - 125A - 5 poles + earth leakage breaker (30mA) and 4 poles thermal magnetic breaker and 2 poles thermal magnetic breaker + single phase thermal protection + voltmeter + ammeter + frequencymeter + hour counter



Special control panels

**P.T.O. three-phase tractor alternators IP44**

**IP 44**

**1. Three-phase synchronous brushes alternators - 2 poles - 3000 rpm - cosφ 0.8**

Three-Phase	50Hz	Tractor HP on PTO *	Power Take Off	Weight	Control panel	Price (ex VAT)
TYPE	KVA	HP	rpm	kg		EURO
FT 2 MES	12,1	24	435	117	A1	on request
FT 2 MFS	14,4	28	435	126	B1	on request
GT 2 MAS	19,8	40	435	147	C1	on request
GT 2 MBS	24,2	48	435	152	C1	on request
GS 2 LAS	28,3	55	435	192	D1	on request
GS 2 LBS	34,2	65	435	208	D1	on request

**2. Three-phase synchronous brushes alternators - 4 poles - 1500 rpm - cosφ 0.8**

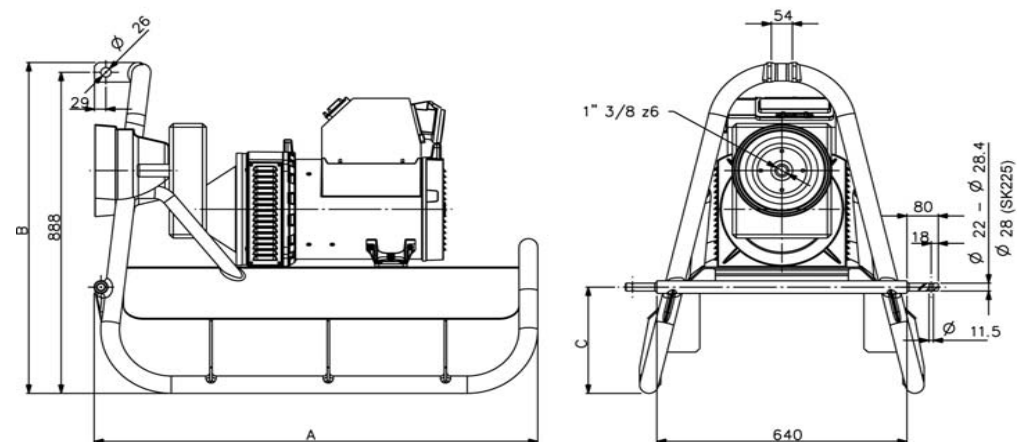
Three-Phase	50Hz	Tractor HP on PTO *	Power Take Off	Weight	Control panel	Price (ex VAT)
TYPE	KVA	HP	rpm	kg		EURO
GT 4 MES	14,8	29	430	149	C1	on request
GT 4 MFS	18	34	430	160	C1	on request
GS 4 LES	22,5	43	430	203	C1	on request
GS 4 LFS	27	50	430	218	D1	on request

**3. Brushless three-phase synchronous alternators with AVR - 4 poles - 1500 rpm - cosφ 0.8**

Three-Phase	50Hz	Tractor HP on PTO *	Power Take Off	Weight	Control panel	Price (ex VAT)
TYPE	KVA	HP	rpm	kg		EURO
HB 4 SBR	14,8	29	430	180	E1	on request
HB 4 CAR	18	35	430	192	E1	on request
HB 4 MAR	22,5	44	430	208	E1	on request
HB 4 LAR	27	53	430	230	F1	on request
IB 4 MA	32,4	61	430	248	G1	on request
IB 4 MB	37,8	72	430	261	G1	on request
IB 4 LA	45	83	430	301	G1	on request
SK 225 SM	56,7	105	400	339	H1	on request
SK 225 MS	67,5	124	400	366	H1	on request
SK 225 MM	81	147	400	386	H1	on request

\* min. suggested tractor HP on PTO, for 50Hz and at specified PTO rpm.

		EURO
<b>OPTIONS:</b>	Over and under voltage protection mounted on the PTO as from 27kVA	on request
	60Hz/3600rpm/1800rpm instead of 50Hz/3000rpm/1500rpm	on demand
	Special control panels on demand	on demand



TYPE - TYP - TIPO	A (mm)	B (mm)	C(mm)
FT / GT / FB	929	915	294
GS / HB / IB	1135	915	294
SK225	1204	923	324,5

gegevens bovenstaande tabel gewijzigd op 06/12/10 MH/YH